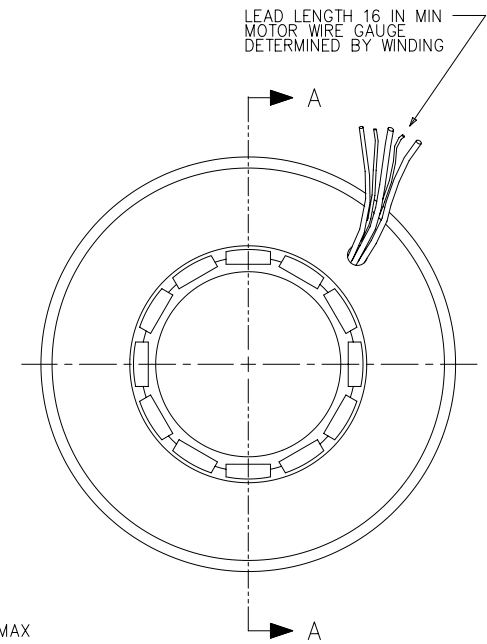
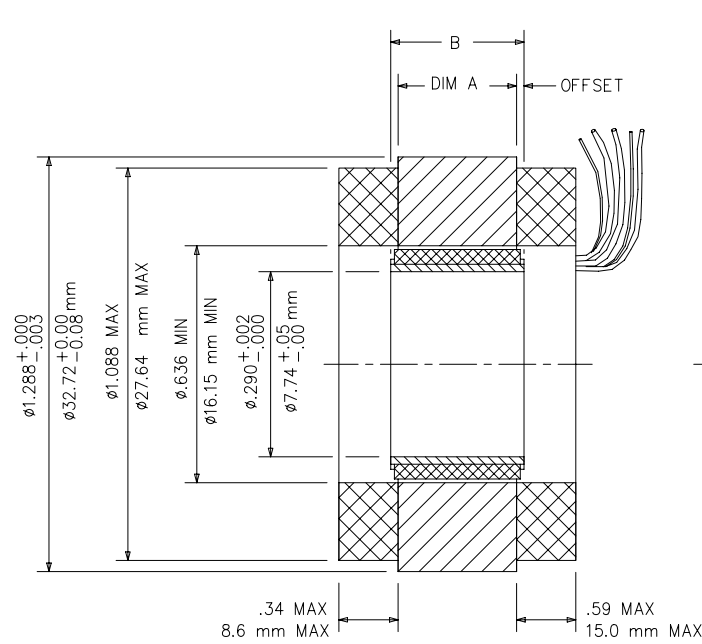


MODEL NUMBER	STACK LENGTH		ROTOR LENGTH	
	DIM. "A"	DIM. "B"	DIM. "A"	DIM. "B"
	in ±.025 mm ±.64	in ±.005 mm ±.13	in ±.005 mm ±.13	in ±.005 mm ±.13
B03 -06	.250	6.35	.255	6.48
B03 -19	.750	19.05	.750	19.05
B03 -25	1.000	25.40	1.010	25.65

REVISIONS			
REV	DESCRIPTION	DATE	APPROVED

NOTES:

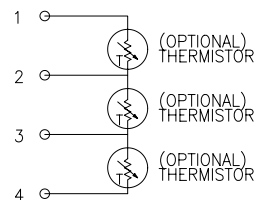
1. OFFSET SHOULD EQUAL $(B-A)/2 \pm .025$ in.
2. ROTOR SHOULD BE MOUNTED CONCENTRIC WITHIN .004 WITH RESPECT TO STATOR OD.
3. MOTOR DIMENSIONS SHOWN APPLY ONLY IN A MACHINING OR TEST FIXTURE AND NOT IN THE FREE OR UNRESTRAINED STATE.
4. DETAILS OF MOTOR SHOWN ARE GENERIC ACTUAL MOTOR MAY DIFFER IN APPEARANCE.
5. MOTOR ROTATION WILL BE IN THE CLOCKWISE DIRECTION AS VIEWED FROM THE LEAD SIDE WHEN ENERGIZED IN THE SEQUENCE WHITE-BLACK-RED.



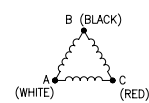
SECTION AA

LEAD SIDE

ONE THERMISTOR IS STANDARD

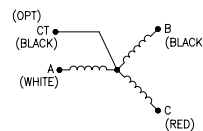


DELTA CONFIGURATION



CONSULT FACTORY FOR SIX LEAD CONFIGURATION

WYE CONFIGURATION



UNLESS OTHERWISE SPECIFIED DIMENSIONS ARE IN INCHES. TOLERANCES ARE:

FRACTIONS ±1/64 DECIMALS .XX = ±.01 .XXX = ±.005 ANGLES ±1°

MATERIAL
FINISH
DO NOT SCALE DRAWING

MOTION CONTROL SYSTEMS, INC.
New River, Virginia 24129

FRAMELESS MOTOR PHYSICAL SPECIFICATION
B03-XXX VARNISHED .290 ID

SIZE B	SCALE NONE	DWG NO. 2000054	REV. N/A
CHKD DATE: EEB 8-11-05	DWG DATE: DC 8-11-05	SHEET 1 OF 1	