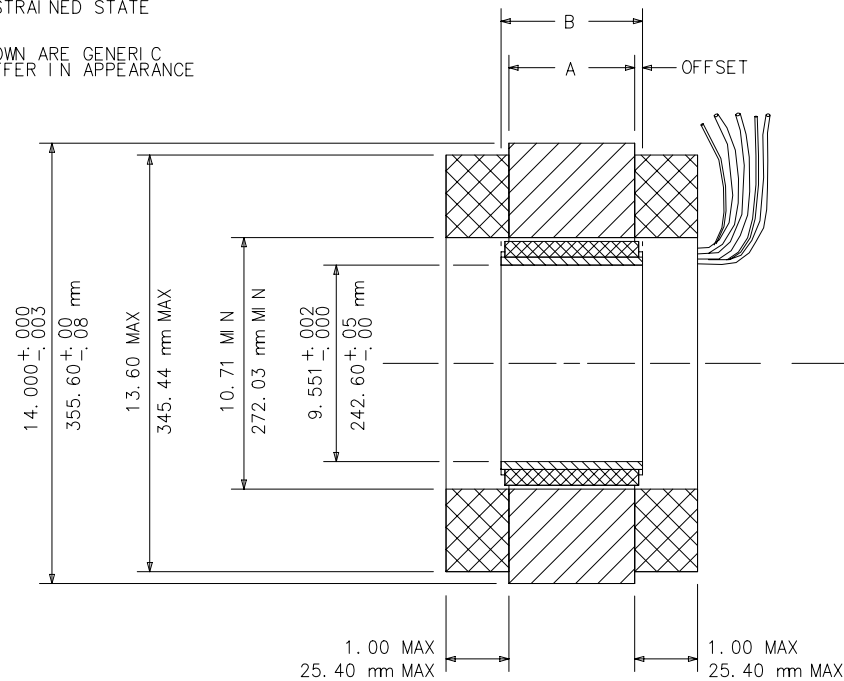


MODEL NUMBER	STACK LENGTH DI M. "A"		ROTOR LENGTH DI M. "B"	
	in ± 0.015	mm ± 0.38	in ± 0.005	mm ± 0.13
B36-13	0.500	12.70	0.505	12.83
B36-25	1.000	25.40	1.010	25.65
B36-38	1.500	38.10	1.515	38.48
B36-51	2.000	50.80	2.020	51.31
B36-64	2.500	63.50	2.525	64.14
B36-76	3.000	76.20	3.030	76.96
B36-89	3.500	88.90	3.535	89.79
B36-102	4.000	101.60	4.040	102.62
B36-114	4.500	114.30	4.545	115.44
B36-127	5.000	127.00	5.050	128.27
B36-140	5.500	139.70	5.555	141.10
B36-152	6.000	152.40	6.060	153.92
B36-165	6.500	165.10	6.565	166.75
B36-178	7.000	177.80	7.070	179.58
B36-191	7.500	190.50	7.575	192.41
B36-203	8.000	203.20	8.080	205.23
B36-216	8.500	215.90	8.585	218.06
B36-229	9.000	228.60	9.090	230.89
B36-241	9.500	241.30	9.595	243.71
B36-254	10.000	254.00	10.100	256.54
B36-267	10.500	266.70	10.605	269.37
B36-279	11.000	279.40	11.110	282.19
B36-292	11.500	292.10	11.615	295.02
B36-305	12.000	304.80	12.120	307.85

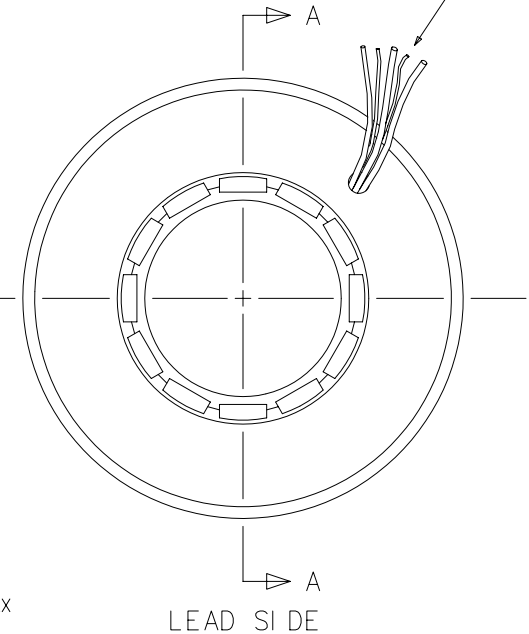
OFFSET SHOULD EQUAL (B-A)/2 ± 0.025 in
 ROTOR SHOULD BE MOUNTED CONCENTRIC TO WITHIN 0.004 WITH RESPECT TO STATOR OD

MOTOR DIMENSIONS SHOWN APPLY ONLY IN A MACHINING OR TEST FIXTURE AND NOT IN THE FREE OR UNRESTRAINED STATE

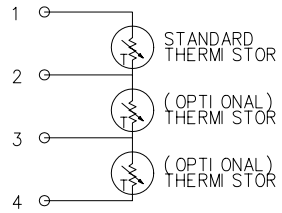
DETAILS OF MOTOR SHOWN ARE GENERIC ACTUAL MOTOR MAY DIFFER IN APPEARANCE



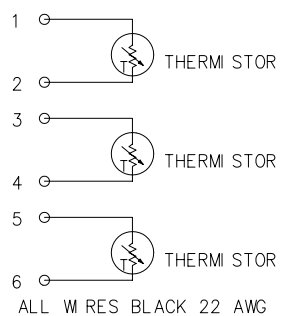
LEAD LENGTH 16 in MIN MOTOR WIRE GAUGE DETERMINED BY WINDING



ONE THERMISTOR IS STANDARD

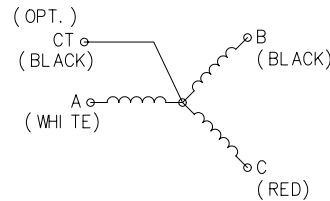


OPTIONAL 3 THERMISTOR CONFIG.



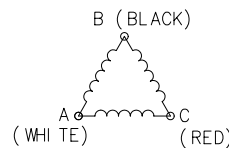
ALL WIRES BLACK 22 AWG

WYE CONFIGURATION



SECTION AA

DELTA CONFIGURATION



MOTOR ROTATION WILL BE IN THE CLOCKWISE DIRECTION AS VIEWED FROM THE LEAD SLIDE WHEN ENERGIZED IN THE SEQUENCE WHITE-BLACK-RED

CONSULT FACTORY FOR SI-X LEAD CONFIGURATION

DO NOT SCALE DRAWING

APPROVALS	DATE
DRAWN TD	5-14-91
CHECKED NH	5-14-91
ISSUED	

D	UPDATED LENGTH CHART		
C	REQ #129 CORRECT MM TOL.	12-23-92	NH
B	ECR 150 THM NOTE	9-17-91	EEB
A	REDRAWN	5-14-91	NH
REV	DESCRIPTION	DATE	APPR

MOTION CONTROL SYSTEMS INC.
 Dublin, Virginia 24084

FRAMELESS MOTOR PHYSICAL SPECIFICATIONS
 B36-XXX-32 VARNISHED WINDINGS

SIZE B	FSCM NO.	DWG. NO. 2008054	REV. D
SCALE NONE	APP. CODE:	SHEET 1 of 1	