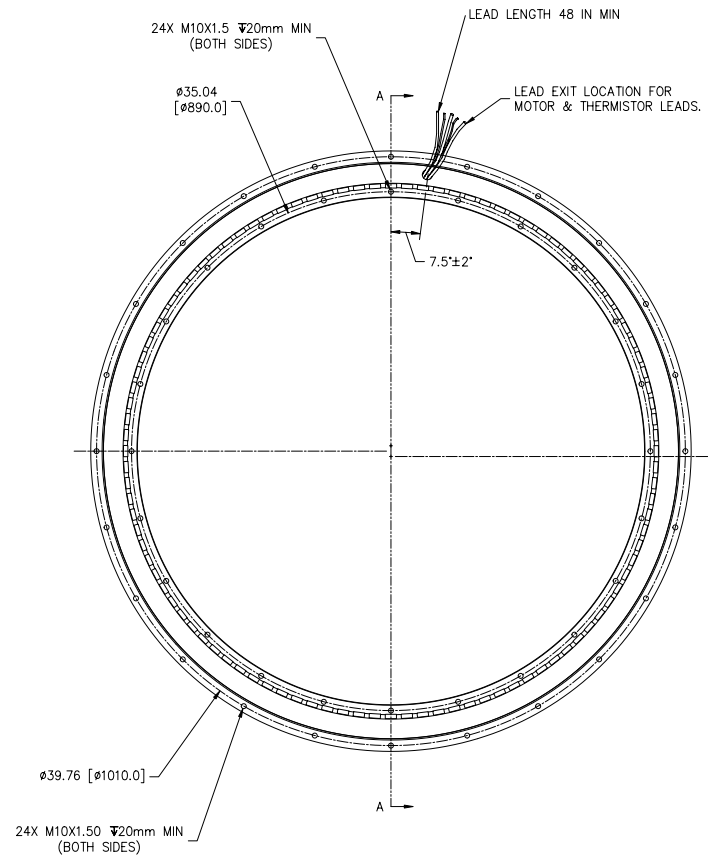
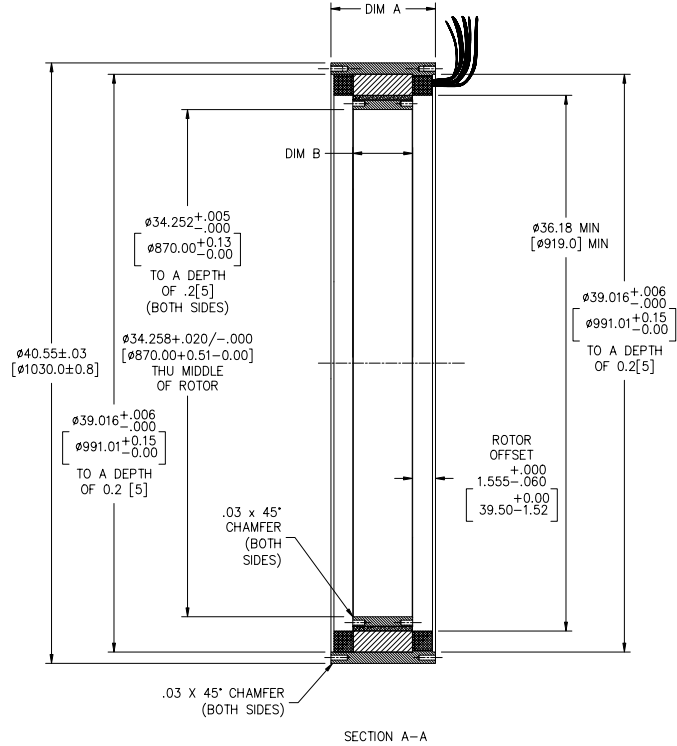


MODEL NUMBER	HOUSING LENGTH "A"		ROTOR LENGTH "B"	
	in	mm	in $\pm .005$	mm $\pm .13$
B99-25	4.055	103.00	1.010	25.65
B99-38	4.555	115.70	1.515	38.48
B99-51	5.055	128.40	2.020	51.31
B99-76	6.055	153.80	3.030	76.96
B99-102	7.055	179.20	4.040	102.62
B99-152	9.055	230.00	6.060	153.92
B99-305	15.055	382.40	12.120	307.85

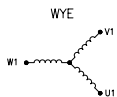
NOTES:

1. ROTOR SHOULD BE MOUNTED CONCENTRIC WITHIN .006 WITH RESPECT TO HOUSING ID PILOT AT EITHER END.
2. HOUSING DIMENSIONS SHOWN APPLY ONLY IN A MACHINING OR TEST FIXTURE & NOT IN THE FREE OR UNRESTRICTED STATE.
3. MOTOR ROTATION WILL BE IN THE CLOCKWISE DIRECTION AS VIEWED FROM THE LEAD SIDE WHEN ENERGIZED IN THE SEQUENCE WHITE-BLACK-RED.
4. DIMENSIONS ARE: INCHES [MILLIMETERS]

REVISIONS			
REV	DESCRIPTION	DATE	APPROVED



WINDING CONFIGURATION



THERMISTOR CONFIGURATION

ALL THERMISTOR WIRES BLACK 22 AWG



UNLESS OTHERWISE SPECIFIED DIMENSIONS ARE IN INCHES.		TOLERANCES ARE:	
FRACTIONS	DECIMALS	ANGLES	FAO
$\pm 1/64$	.XX = $\pm .01$	$\pm 1^\circ$	N/A
	.XXX = $\pm .005$		
MATERIAL:	DFC	DRAWN BY DATE	DRAWING NUMBER REVISION LEVEL
FINISH: N/A	8-28-03	2030044	NONE
DO NOT SCALE DRAWING	TD	APPROVED BY DATE	SCALE SIZE SHEET
	8-16-05	NONE	D 1 OF 1



B99 PARTIALLY HOUSED MOTOR WITH ENCAPSULATED WINDINGS PHYSICAL SPECIFICATION