

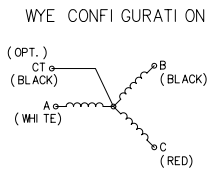
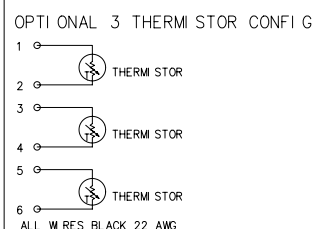
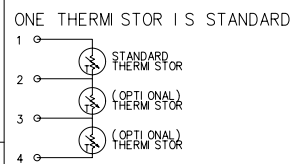
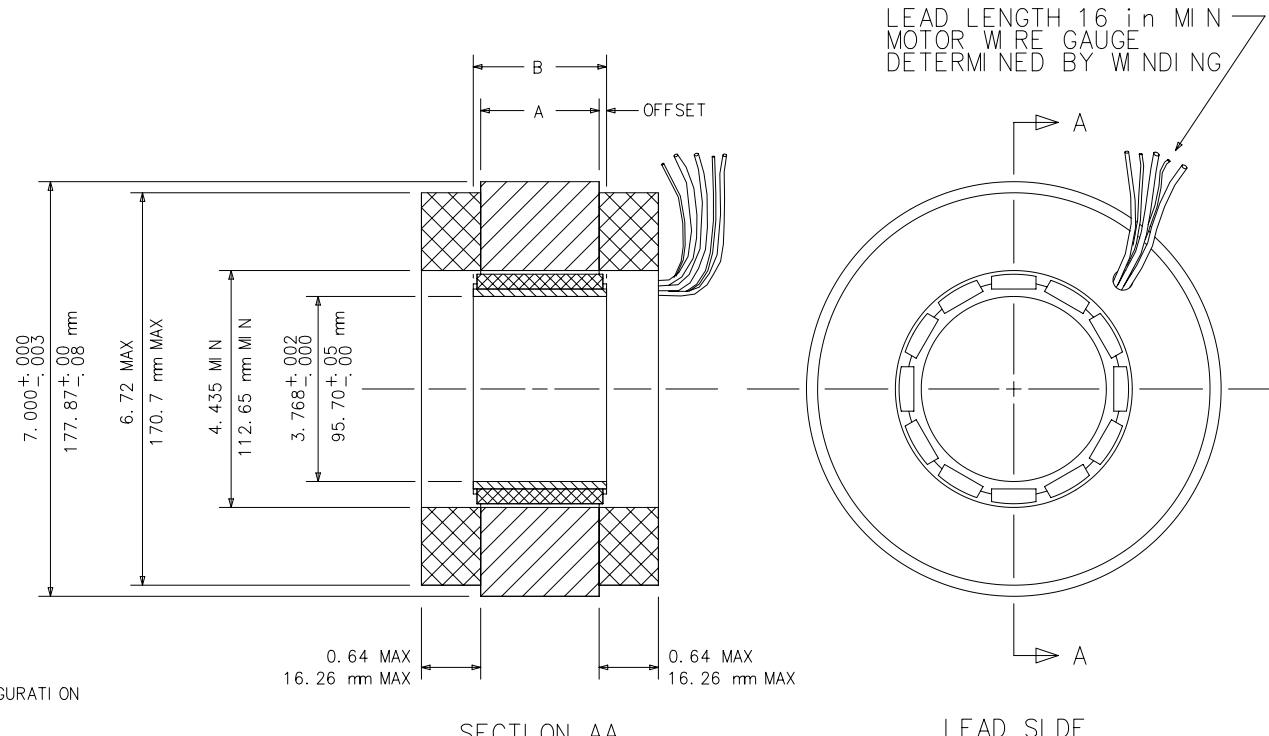
MODEL NUMBER	STACK LENGTH DI M. "A"		ROTOR LENGTH DI M. "B"	
	in ±.015	mm ±0.64	in ±.005	mm ±0.13
B18-13	0.500	12.70	0.505	12.83
B18-25	1.000	25.40	1.010	25.65
B18-38	1.500	38.10	1.515	38.48
B18-51	2.000	50.80	2.020	51.31
B18-64	2.500	63.50	2.525	64.14
B18-76	3.000	76.20	3.030	76.96

OFFSET SHOULD EQUAL (B-A)/2 ±0.025 in
ROTOR SHOULD BE MOUNTED CONCENTRIC TO WITHIN 0.004 WITH RESPECT TO STATOR OD

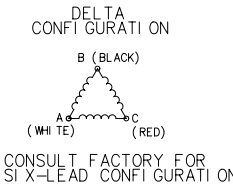
MOTOR DIMENSIONS SHOWN APPLY ONLY IN A MACHINING OR TEST FIXTURE AND NOT IN THE FREE OR UNRESTRAINED STATE

DETAILS OF MOTOR SHOWN ARE GENERIC. ACTUAL MOTOR MAY DIFFER IN APPEARANCE

REVISIONS			
REV	DESCRIPTION	DATE	APPROVED
A	REDRAWN	4-23-91	NH
B	ECR #150 THERMISTOR NOTE	9-17-91	EEB
C	REQ #129 CORRECTED mm TOLERANCE	12-22-92	NH
D	CORRECTED CHART AND NOTES	6-23-95	EEB



MOTOR ROTATION WILL BE IN THE CLOCKWISE DIRECTION AS VIEWED FROM THE LEAD SIDE WHEN ENERGIZED IN THE SEQUENCE WHITE-BLACK-RED



UNLESS OTHERWISE SPECIFIED DIMENSIONS ARE IN INCHES. TOLERANCES ARE:

FRACTIONS R1/64	DECIMALS .XX = R.01 .XXX = R.005	ANGLES R1°
MATERIAL		
FINISH		
DO NOT SCALE DRAWING		

MOTION CONTROL SYSTEMS, INC. Dublin, Virginia 24084			
FRAMELESS MOTOR PHYSICAL SPECIFICATIONS B18-XXX-18 VARNISHED WINDINGS (3.768 ID)			
SIZE A	SCALE NONE	DWG NO. W2006064	REV. D
CHKD DATE: NH 4-23-91	DWG DATE: TD 4-23-91	SHEET 1 OF 1	