

4

3

2

1

MODEL NUMBER	STACK LENGTH "A"		ROTOR LENGTH "B"	
	in $\pm .025$ $-.010$	mm ± 0.64 $-.25$	in $\pm .005$ $-.000$	mm ± 0.13 $-.000$
B15-13	.500	12.70	1.010	25.65
B15-25	1.000	25.40	1.515	38.48
B15-38	1.500	38.10	2.020	51.31
B15-51	2.000	50.80	2.525	64.14
B15-64	2.500	63.50	3.030	76.96
B15-76	3.000	76.20	3.535	89.79
B15-89	3.500	88.90	4.040	102.62
B15-102	4.000	101.60	4.545	115.14
B15-114	4.500	114.30	5.050	128.27
B15-127	5.000	127.00	5.555	141.10
B15-140	5.500	139.70	6.060	153.92
B15-152	6.000	152.40	6.565	166.75
B15-165	6.500	165.10	7.070	179.58
B15-178	7.000	177.80	7.575	192.41
B15-191	7.500	190.50	8.080	205.23
B15-203	8.000	203.20	8.585	218.06
B15-216	8.500	215.90	9.090	230.89
B15-229	9.000	228.60	9.595	243.71
B15-241	9.500	241.30	10.100	256.54
B15-254	10.000	254.00	10.605	269.37
B15-267	10.500	266.70	11.110	282.19
B15-279	11.000	279.40	11.615	295.02
B15-292	11.500	292.10	12.120	307.85
B15-305	12.000	304.80	12.626	320.68

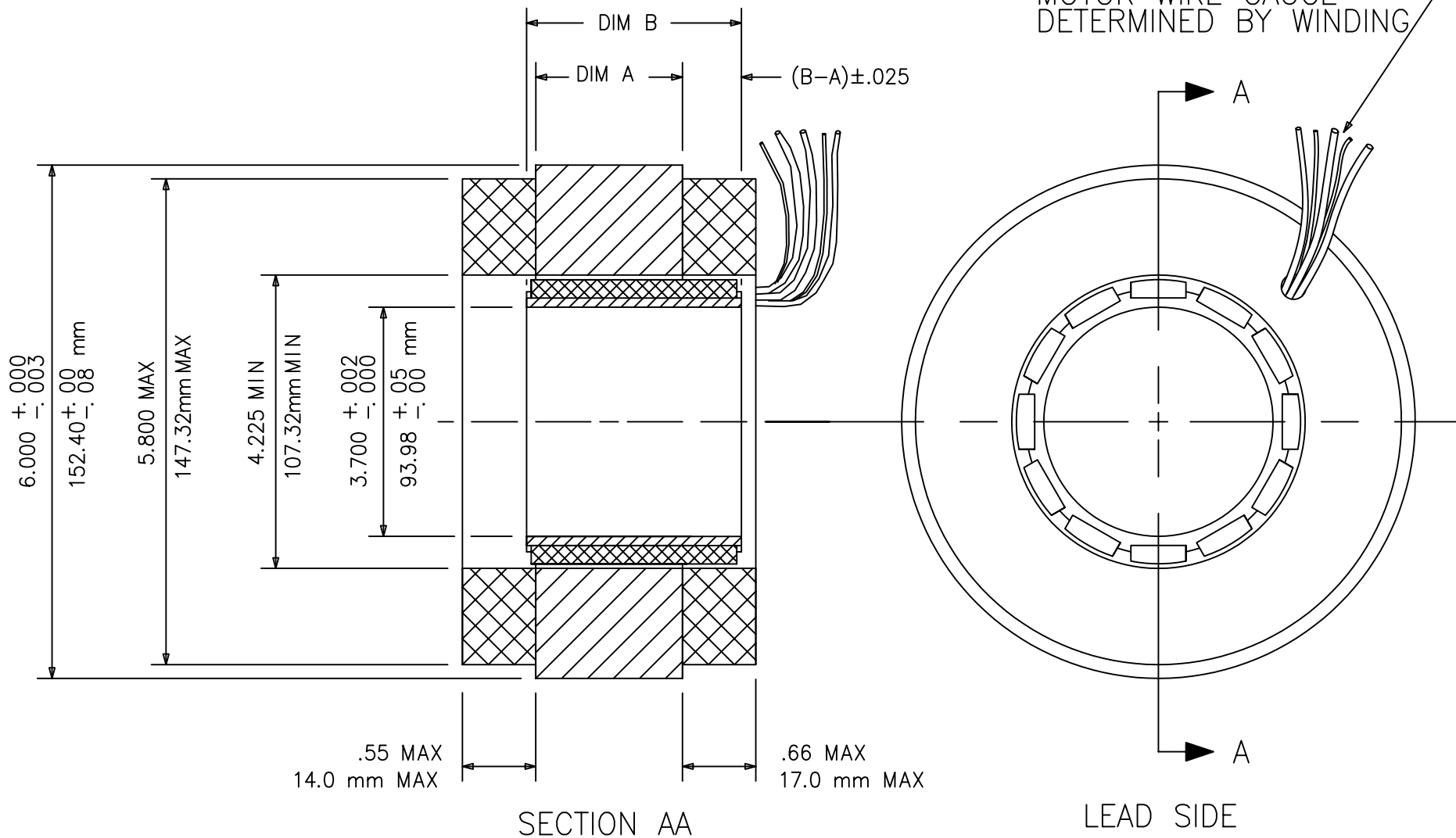
ROTOR SHOULD BE MOUNTED CONCENTRIC WITHIN .004 WITH RESPECT TO STATOR OD

MOTOR DIMENSIONS SHOWN APPLY ONLY IN A MACHINING OR TEST FIXTURE AND NOT IN THE FREE OR UNRESTRICTED STATE

DETAILS OF MOTOR SHOWN ARE GENERIC ACTUAL MOTOR MAY DIFFER IN APPEARANCE

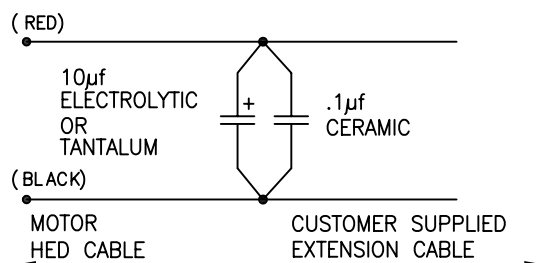
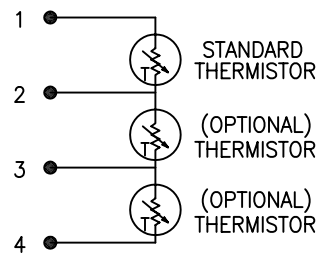
IF THE MOTOR CONTROLLER CABLE DISTANCE IS LONGER THAN 10', THE CUSTOMER SHOULD ATTACH TWO CAPACITORS TO THE HALL EFFECT POWER LEADS AT THE MOTOR JUNCTION BOX AS SHOWN BELOW.

REVISIONS			
REV	DESCRIPTION	DATE	APPROVED
A	ECR 2386 CHGD ENDTURN OD	1-24-06	TD
B	ECR# 2389; ADDED HED'S	1-27-06	RWD
C	ECR#2420; REVD HED CLORS PER QC	5-26-06	EEB



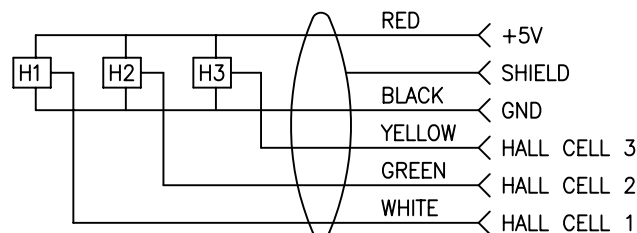
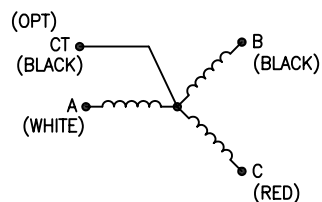
MOTOR ROTATION WILL BE IN THE CLOCKWISE DIRECTION AS VIEWED FROM THE LEAD SIDE WHEN ENERGIZED IN THE SEQUENCE WHITE-BLACK-RED

ONE THERMISTOR IS STANDARD



ALL WIRES BLACK 22 AWG

WYE CONFIGURATION



UNLESS OTHERWISE SPECIFIED DIMENSIONS ARE IN INCHES. TOLERANCES ARE:

FRACTIONS $\pm 1/64$ DECIMALS .XX = ± 0.01 .XXX = ± 0.005 ANGLES $\pm 1^\circ$

MATERIAL N/A

FINISH N/A

DO NOT SCALE DRAWING



FRAMELESS MOTOR PHYSICAL SPECIFICATION B15-XX WITH VARNISHED WINDINGS W/ HED'S 3.700 ID

SIZE B SCALE NONE DWG NO. W2016014 REV. C

CHKD DATE: EEB 8-11-05 DWG DATE: DC 8-11-05 SHEET 1 OF 1

4

3

2

1