

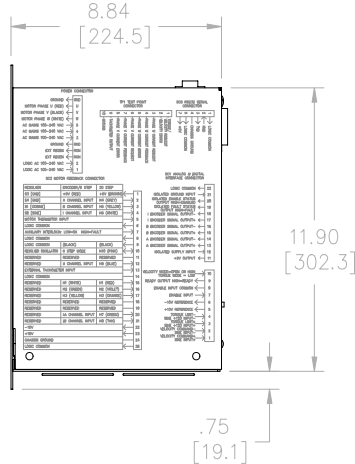
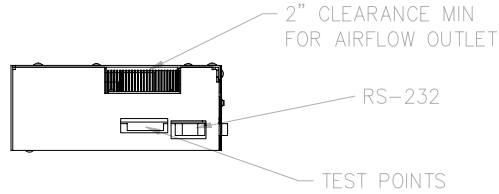
4

3

2

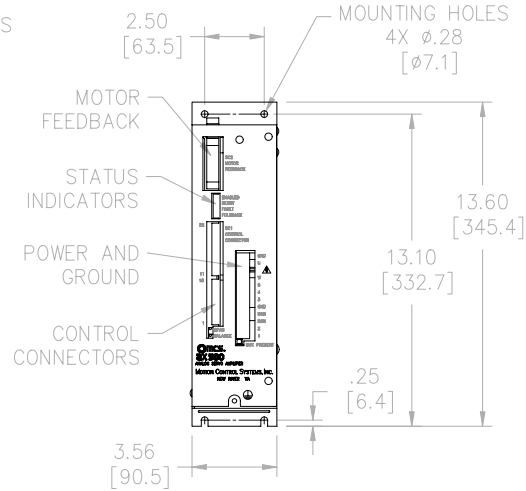
1

REVISIONS			
REV	DESCRIPTION	DATE	APPROVED
A	CHGD AC INPUT FROM 250 TO 240	12-7-01	TD
B	UPDATED PER NEW DESIGN	7-17-02	TD



NOTES:

1. DIMENSIONS ARE: $\frac{\text{in}}{[mm]}$.
2. DRIVE CURRENT RATING:
7.5 CONT / 15 PEAK FOR 2 SEC.
3. INPUT AC: 100-240.
4. MAX AMBIENT: 40°C.



MCS MOTION CONTROL SYSTEMS
NEW RIVER, VIRGINIA 24129

AX-500/1000 OUTLINE AND MOUNTING DIMENSIONS

DRAWN BY	DATE	DRAWING NUMBER		REVISION LEVEL
T. Downey	7-11-01	1403820		B
APPROVED BY	DATE	SCALE	SIZE	SHEET
TD	7-12-01	1/4	B	1 OF 1

4

3

2

1